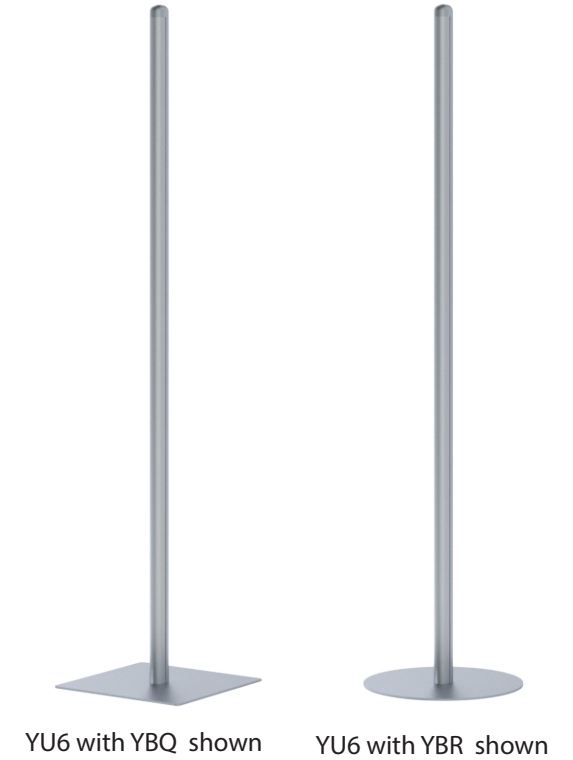
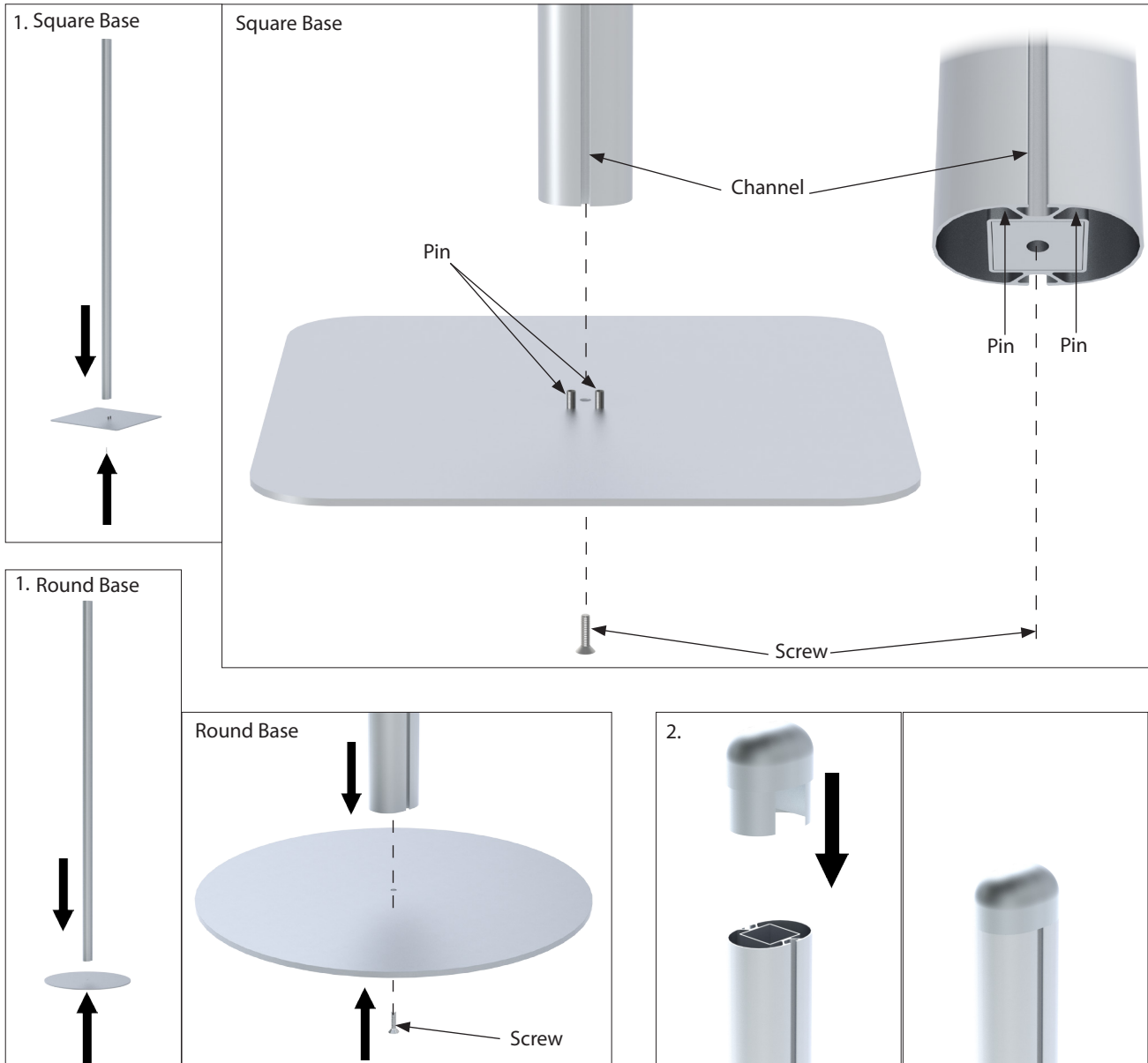


SignPost System™ - Upright

1. Attach upright to base using Allen screw provided. **FOR SQUARE BASE ONLY:** Align pins with underside of upright as shown.
2. Place plastic cap on top of upright to complete assembly.

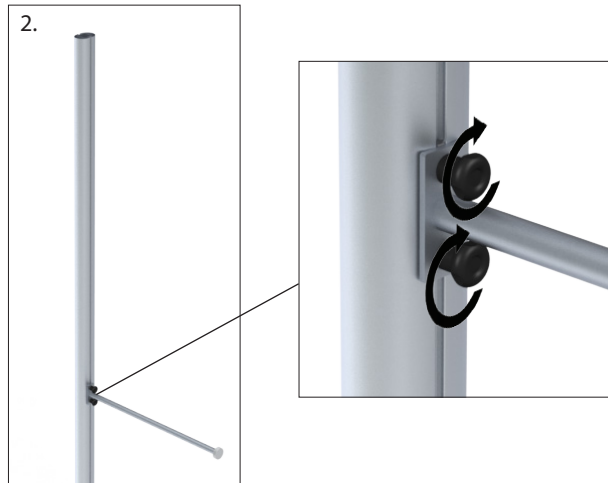
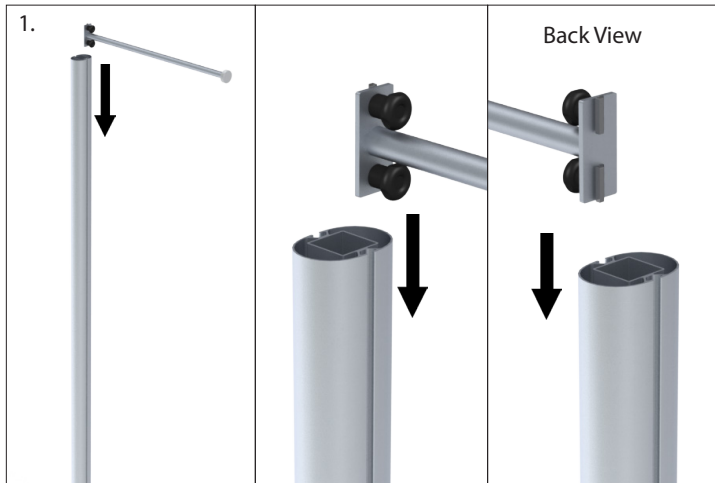
Applicable Products:

YU (upright) with YBQ (Square Base)
YU (upright) with YBR (Round Base)



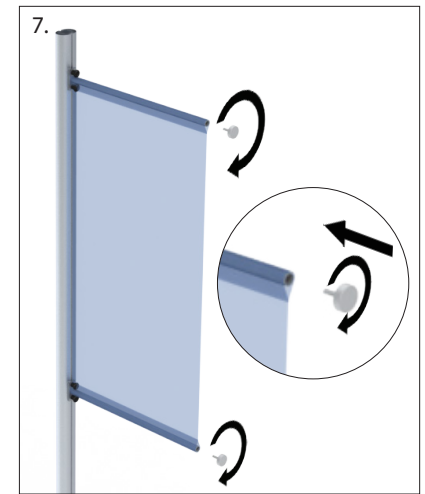
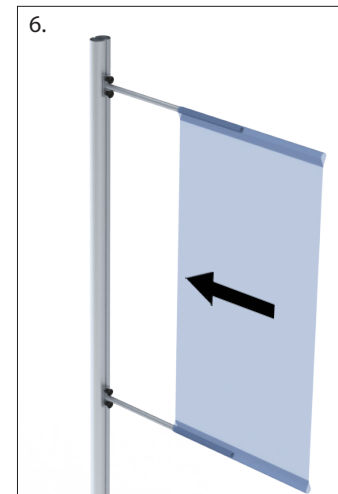
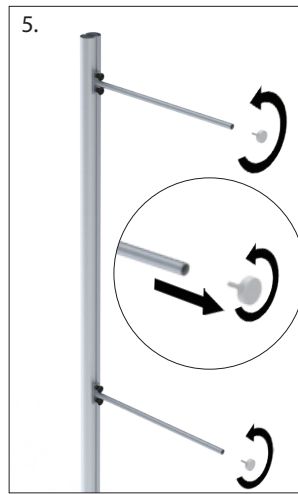
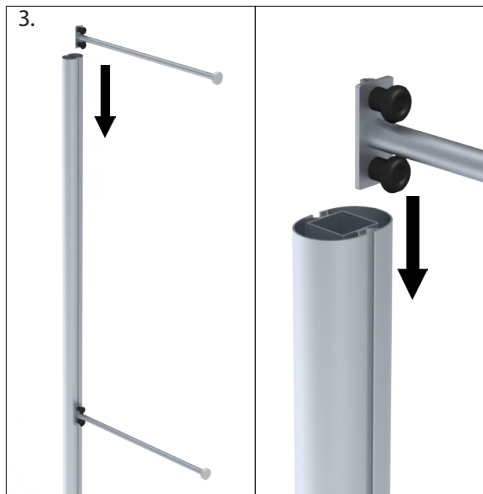
SignPost System™ - Graphic Rod - CRGR and Costumer Arm - CRUM Series

1. Insert the glide screws of the lower graphic rod into the channel of the upright.
2. Slide the rod downward to the desired location, then tighten the knobs to secure the position of the rod.
3. Insert the glide screw of the upper graphic rod into the channel of the upright.
4. Slide the rod downward to the desired location, then tighten the knobs to secure the position of the rod.
5. Unscrew the end puck of the graphic rods.
6. Slide the graphic over the rods.
7. Reconnect the end puck of the graphic rods.



CRGR1 shown

CRUM2 shown



SignPost System™ - Literature Holder - CRLS Series

- 1. Align glide screws with channel of upright, then slide into place.
- 2. Tighten pucks to secure position.

