

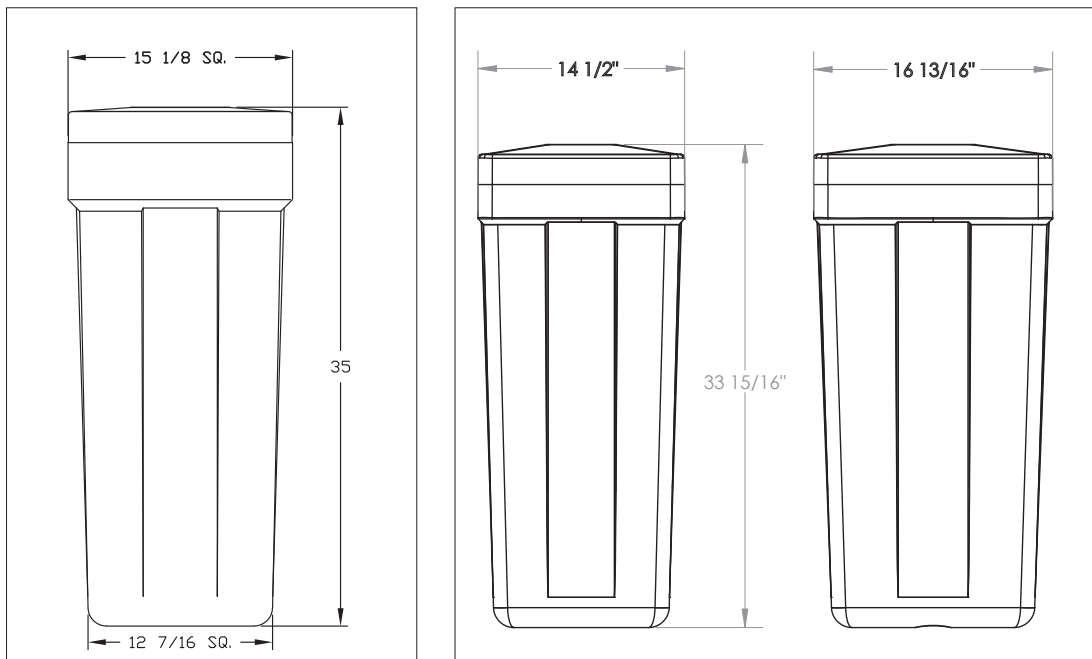
**Product Update**  
**04/06/2021**

Upcoming Discontinuation of 14x14 Brine Tank

This is an announcement to inform you that our brine tank manufacturer will be discontinuing the production of 14"x14" brine tanks. Beginning in mid-May 2021, 14"x14" brine tanks and assemblies will be replaced with an updated 15"x17" version.

In the middle of December, 2020, our brine tank manufacturer released the updated 15"x17" brine tank design in an effort to reduce freight costs, handling costs, maximizing trailer space, and to reduce warehouse storage space. The updated design features a shorter, slimmer profile while simultaneously increasing the total capacity by two gallons.

Please see the images below for exact brine tank dimensions.



**Current 14x14 Tank**  
The current tank version features a true "square" profile.

**Updated 15x17 Tank**  
Updated tanks feature a shorter and thinner profile than the previous version.

We will begin transitioning orders for the 14x14 square tank (BT1434-0A, BT1434-1A) to its 15x17 (BT1517-0A, BT1517-1A) replacement in the mid-May time frame. Until that time, you may continue to purchase the current 14x14 variant, dependent on inventory and availability. However, we believe the shorter and thinner profile of the updated tank is an improvement in design, especially for applications with limited space.

If you have questions about the transition to these updated brine tanks, please contact Water-Right Technical or Customer Service at (800) 777-1426 or reach out to your regional sales manager. We are continuing to work with our parts manufacturers to ensure that we are providing the best quality parts and components that we can and are dedicated to keeping you informed as changes occur.

Thank you.

-The Water-Right Group