

InterFlo™

The Convenient & Affordable
Drinking Water Solution.



Advanced Water, Right at the Tap.

Dear Water-Right Customer,

We are pleased to announce the release of our new Residential and Commercial InterFlo™ IF-15 filter. Similar to the IF-14 filter, the IF-15 is an easy to install product that can reduce water contaminants while also providing an entry level price point for homeowners. This is a quick and easy faucet filter that can effectively compete with higher-end filters at a fraction of the price.

Install the IF-15 filter on the cold water line of any faucet or utilize a separate dispensing faucet for optimal flow and to save the life of the cartridge from processing water for dish washing or other non-consumable purposes.

We have the new InterFlo IF-15 taste and odor filter in stock and ready to ship!

Applications:

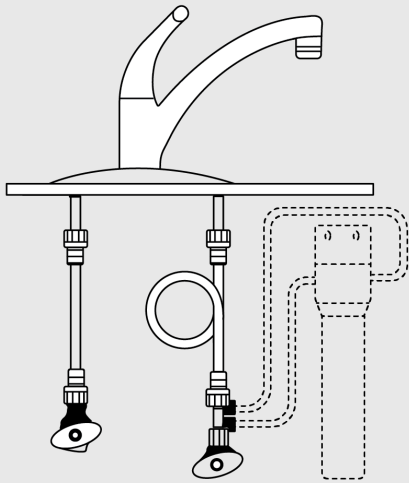
Residential

Cold Side of Kitchen Faucet
Refrigerator Ice and Water
Cold Side of Lavatory Faucet
Bar or Vegetable Sinks
Option Designer Faucets

Commercial

Ice Tea and Coffee Makers
Ice Machines
Restaurant Beverage Stations
Business Break Rooms
POU Water Cooler

Features



- Rated service flow rate of 1.67 Gallons per Minute
- Reduces taste and odor problems, such as chlorine
- InterFlo IF-15 and IF-14 system heads are universal, making it easy to upgrade or downgrade between cartridge changes
- Filter lasts up to 7,200 gallons
- Dimensions: 3.25" x 19.25"

Complete System Model Number: IF-15 (part #: 100340563)

Replacement Cartridge Model Number: IF-15-R (part #: 100340562)

(Please visit the Dealer Login area of our websites for the latest Specialty Products Catalog for pricing.)

Downloads



[InterFlo Filter
Owner's Manual](#)

[InterFlo IF-15
Sell Sheet](#)

[RO Faucet Selection
Guide](#)

For any questions regarding this new product, please call Technical or Customer Service at (800)-777-1426 or contact your Regional Sales Manager.

